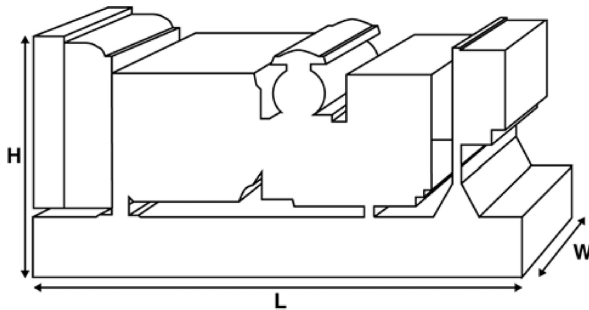




Output Ratings

Voltage, Frequency		Prime	Standby
400V, 50 Hz	kVA	500	550
	kW	400	440
480V, 60 Hz	kVA		
	kW		

Ratings at 0.8 power factor.
Please refer to the output ratings technical data section for specific generator set outputs per voltage.



Dimensions and Weights

Length	mm	3787 (149.1)
Width	mm	1481 (58.3)
Height	mm	2193.4 (86.4)
Weight (Dry)	kg	3784 (8342)
Weight (Wet)	kg	3832 (8448)

Ratings in accordance with ISO 8528, ISO 3046, IEC 60034, BS5000 and NEMA MG-1.22.
Generator set pictured may include optional accessories.

Prime Rating

These ratings are applicable for supplying continuous electrical power (at variable load) in lieu of commercially purchased power. There is no limitation to the annual hours of operation and this model can supply 10% overload power for 1 hour in 12 hours.

Standby Rating

These ratings are applicable for supplying continuous electrical power (at variable load) in the event of a utility power failure. No overload is permitted on these ratings. The alternator on this model is peak continuous rated (as defined in ISO 8528-3).

Standard Reference Conditions

Note: Standard reference conditions 25°C (77°F) Air Inlet Temp, 100m (328 ft) A.S.L. 30% relative humidity.
Fuel consumption data at full load with diesel fuel with specific gravity of 0.85 and conforming to BS2869: 1998, Class A2.

FG Wilson offer a range of optional features to allow you to tailor our generator sets to meet your power needs.
Options available include:

- Upgrade to CE Certification
- A wide range of Sound Attenuated Enclosures
- A variety of generator set control and synchronising panels
- Additional alarms and shutdowns
- A selection of exhaust silencer noise levels

For further information on all of the standard and optional features accompanying this product please contact your local Dealer or visit:

www.fgwilson.com

Head Office

St Ivel Way, Warmley, Bristol BS30 8TY
T. 0370 850 0858 F. 0370 850 0851

www.powerelectrics.com
sales@powerelectrics.com



P550-2

Ratings and Performance Data

Engine Make	Perkins		
Engine Model:	2506D-E15TAG2		
Alternator Make	FG Wilson		
Alternator Model:	FG29A400		
Control Panel:	0		
Base Frame:	Heavy Duty Fabricated Steel		
Circuit Breaker Type:	3 Pole MCCB		
Frequency:	50 HZ	60 HZ	
Engine Speed: RPM	rpm	1500	
Fuel Tank Capacity:	litres (US gal)	1083 (286.1)	
Fuel Consumption Prime	litres (US gal)	104 (27.5)	
Fuel Consumption Standby	litres (US gal)	113.9 (30.1)	

Engine Technical Data

No. of Cylinders	6		
Alignment	IN LINE		
Cycle	4 STROKE		
Bore	mm (in)	137 (5.4)	
Stroke	mm (in)	171 (6.7)	
Induction	TURBOCHARGED AIR TO AIR CHARGE COOLED		
Cooling Method	WATER		
Governing Type	ELECTRONIC		
Governing Class	ISO 8528 G3		
Compression Ratio	16.0:1		
Displacement	L (cu. in)	15.2 (927.6)	
Moment of Inertia:	kg m ² (lb/in ²)	4.29 (14660)	
Voltage	24		
Ground	Negative		
Battery Charger Amps	70		
Engine Weight Dry	kg (lb)	1633 (3600)	
Engine Weight Wet	kg (lb)	1714 (3779)	

Engine Performance Data

		50 Hz	60 Hz
Engine Speed	rpm	1500	
Gross Engine Power Prime	kW (hp)	453 (607)	
Gross Engine Power Standby	kW (hp)	497 (666)	
BMEP Prime	kPa (psi)	2396 (347.5)	
BMEP Standby	kPa (psi)	2629 (381.3)	



Head Office

St Ivel Way, Warmley, Bristol BS30 8TY
T. 0370 850 0858 F. 0370 850 0851

HIRE | SALES | SERVICE | PARTS | FABRICATION

www.powerelectrics.com
sales@powerelectrics.com



AUTHORISED DEALER



P550-2

Fuel System

Fuel Filter Type:		Replaceable Element			
Recommended Fuel:		Class A2 Diesel			
Fuel Consumption at		110 % Load	100 % Load	75 % Load	50 % Load
50 Hz Prime:	l/hr (US gal/hr)	113.9 (30.1)	104 (27.5)	80.7 (21.3)	58.7 (15.5)
50 Hz Standby	l/hr (US gal/hr)	-	113.9 (30.1)	87.5 (23.1)	63 (16.6)
60 Hz Prime	l/hr (US gal/hr)				
60 Hz Standby	l/hr (US gal/hr)	-			

(Based on diesel fuel with a specific gravity of 0.82 and conforming to BS2869 classA2,EN590)

Air System

		50 Hz	60 Hz
Air Filter Type:		Paper Element	
Combustion Air Flow Prime	m ³ /min (cfm)	34.5 (1218)	
Combustion Air Flow Standby	m ³ /min (cfm)	36 (1271)	
Max. Combustion Air Intake Restriction	kPa	6.2 (24.9)	

Cooling System

		50 Hz	60 Hz
Cooling System Capacity	l (US gal)	48 (12.7)	
Water Pump Type:		Centrifugal	
Heat Rejected to Water & Lube Oil: Prime	kW (Btu/min)	170 (9668)	
Heat Rejected to Water & Lube Oil: Standby	kW (Btu/min)	185 (10521)	
Heat Radiation to Room*: Prime	kW (Btu/min)	50 (2843)	
Heat Radiation to Room*: Standby	kW (Btu/min)	62.5 (3554)	
Radiator Fan Load:	kW (hp)	18.6 (24.9)	
Radiator Cooling Airflow:	m ³ /min (cfm)	555 (19600)	
External Restriction to Cooling Airflow:	Pa (in H ₂ O)	125 (0.5)	

*: Heat radiated from engine and alternator
 Designed to operate in ambient conditions up to 50°C (122°F).
 Contact your local FG Wilson Dealer for power ratings at specific site conditions.

Lubrication System

Oil Filter Type:		Eco, Full flow
Total Oil Capacity:	l (US gal)	62 (16.4)
Oil Pan Capacity:	l (US gal)	53 (14)
Oil Type:		API CI4 15W-40
Oil Cooling Method:		WATER

Exhaust System

		50 Hz	60 Hz
Maximum Allowable Back Pressure:	kPa (in Hg)	6.8 (2)	
Exhaust Gas Flow: Prime	m ³ /min (cfm)	84 (2966)	
Exhaust Gas Flow: Standby	m ³ /min (cfm)	87 (3072)	
Exhaust Gas Temperature: Prime	°C (°F)	420 (788)	
Exhaust Gas Temperature: Standby	°C (°F)	420 (788)	



Head Office

St Ivel Way, Warmley, Bristol BS30 8TY
 T. 0370 850 0858 F. 0370 850 0851

HIRE | SALES | SERVICE | PARTS | FABRICATION

www.powerelectrics.com
 sales@powerelectrics.com



P550-2

Alternator Physical Data

No. of Bearings:	1
Insulation Class:	H
Winding Pitch:	2/3
Winding Code	R1
Wires:	12
Ingress Protection Rating:	IP21
Excitation System:	SHUNT
AVR Model:	A-OPT-04E

Alternator Operating Data

Overspeed: rpm	2250
Voltage Regulation: (Steady state)	+/- 1.0
Wave Form NEMA = TIF:	50
Wave Form IEC = THF:	2
Total Harmonic content LL/LN:	3
Radio Interference:	EN61000-6
Radiant Heat: 50 Hz	kW (Btu/min) 27.5 (1564)
Radiant Heat: 60 Hz	kW (Btu/min)

Alternator Performance Data 50 Hz:

		415/240 V	400/230 V	380/220 V
Voltage Code			230 V	
Motor Starting Capability*	kVA	1555	1455	1326
Short Circuit Capacity	%	300	300	300
Reactances	Xd	2.85	3.07	3.4
	X'd	0.15	0.16	0.18
	X''d	0.111	0.111	0.123

Alternator Performance Data 60 Hz

		415/240 V	400/230 V	380/220 V
Voltage Code			230 V	
Motor Starting Capability*	kVA			
Short Circuit Capacity	%	300	300	300
Reactances	Xd			
	X'd			
	X''d			

Reactances shown are applicable to prime ratings.

*Based on 30% voltage dip at 0.6 power factor.



Head Office

St Ivel Way, Warmley, Bristol BS30 8TY
T. 0370 850 0858 F. 0370 850 0851

HIRE | SALES | SERVICE | PARTS | FABRICATION

www.powerelectrics.com
sales@powerelectrics.com



P550-2

Output Ratings 50 Hz

Voltage Code	Prime		Standby	
	kVA	kW	kVA	kW
415/240V	500	400	550	440
400/230V	500	400	550	440
380/220V	475	380	546.3	437.04
230/115V	500	400	550	440
220/127V				
220/110V				
200/115V				
240V				
230V				
220V				

Output Ratings 60 Hz

Voltage Code	Prime		Standby	
	kVA	kW	kVA	kW
480/277V				
440/254V				
416/240V				
400/230V				
380/220V				
240/139V				
240/120V				
230/115V				
220/127V				
220/110V				
208/120V				
240/120				
220/110				



Head Office

St Ivel Way, Warmley, Bristol BS30 8TY
T. 0370 850 0858 F. 0370 850 0851

HIRE | SALES | SERVICE | PARTS | FABRICATION

www.powerelectrics.com
sales@powerelectrics.com



AUTHORISED DEALER

